

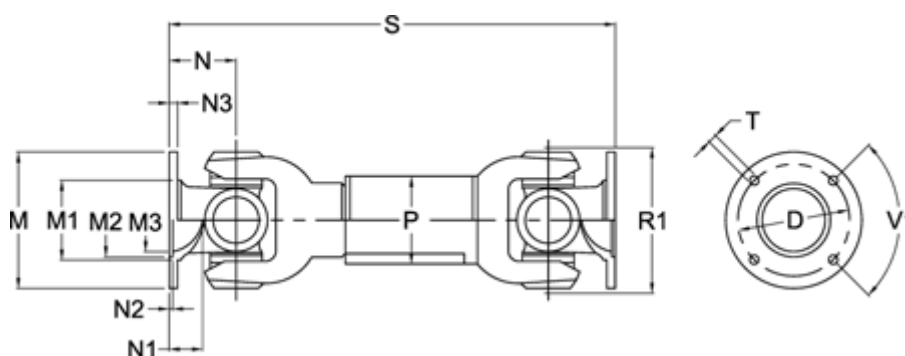
Data Sheet



Article number: 071581350585080

Description: Cardan drive shaft 0.158.135.002
S=585 X=80 Bore with keyway

Measures



D	= 130 +0,1
Extension X	= 80
Flange diameter M	= 150
M1	= 104
M2	= 90
M3	= 84
Max. Bending Angle degrees	= 35
N	= 90

N1	= 25
N2	= 3 +0,5
N3	= 12
Number og Flangeholes	= 8
P	= 90x4
R1	= 150
S min	= 585
Spline dim. DIN 5480	= 60x2,5x22

T	= 12 B12
V1 degrees	= 45